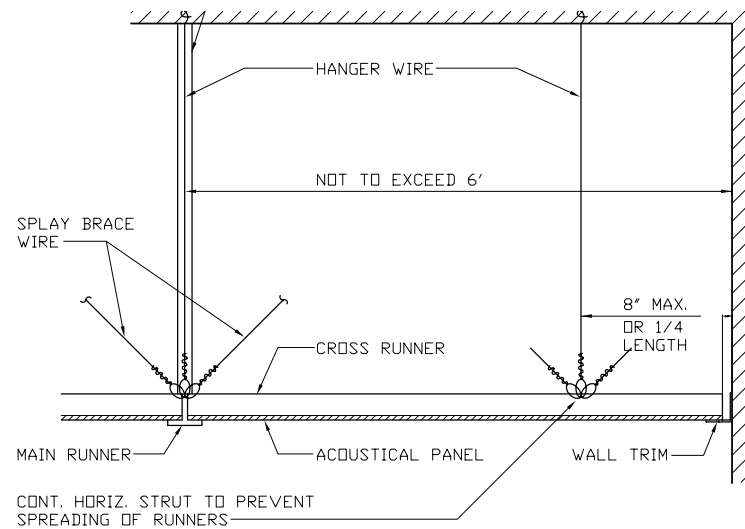
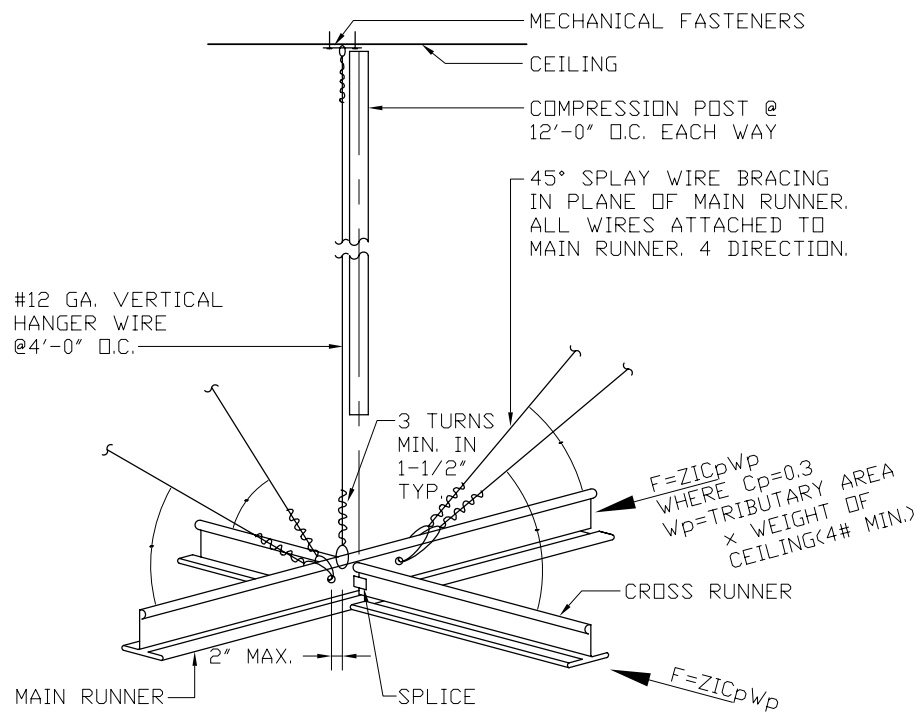


LOCKING CLIP TO FASTEN CROSS RUNNER TO MAIN RUNNER
 SPLICES AND INTERSECTIONS OF RUNNERS SHALL BE ATTACHED WITH MECHANICAL INTERLOCKING CONNECTORS SUCH AS POP RIVETS, SCREWS, PINS, PLATES WITH BENT TABS, OR OTHER APPROVED CONNECTORS. DESIGN CONNECTORS FOR 2 X DESIGN LOAD OR ULTIMATE AXIAL TENSION OR COMPRESSION (MINIMUM 60 POUNDS).



SUSPENDED CEILING DETAIL AT WALL

HANGER WIRE	ALLOW. TENSION
#12	170#
11	225#
10	300#

NOTE: T-Grid seismic repairs to use UBC 1997 Edition, Washington State Amendments, as adopted by the City of Tumwater.

MODULAR BUILDING CEILING T-GRID SEISMIC REPAIR

Item	Room	Ceiling Grid		Repair Description for All Items
	Number	QTY	Unit	
1	101	440	SF	Approximately half of the seismic wire bracing exists with no compression posts. Add additional wire bracing with compression posts. Any other attachment points shall be provided by the Contactor.
2	102	400	SF	
3	103	419	SF	
4	104	456	SF	
5	105	2,255	SF	
6	106	415	SF	
7	107	1,027	SF	
8	108	433	SF	
9	109	309	SF	
10	110	279	SF	
11	111	2,535	SF	
12	112	481	SF	
13	113	291	SF	
14	114	801	SF	
15	115	1,635	SF	
TOTAL		12,176	SF	

email: chris@designplus-wa.com
 ARCHITECTURE ♦ INTERIOR DESIGN
 PROGRAMMING ♦ SPACE PLANNING
 425.462.1210 FAX 425.462.0866
 1417 100th Avenue NE, Bellevue, Washington 98004-3523

DESIGN

2491 REGISTERED ARCHITECT
 Christina A. Johnson
 STATE OF WASHINGTON

BID DOCUMENTS

State Project
 2002-161

Date Issued
 8.2.2005

A2.2



State of Washington
 Engineering and Architectural Services
 FEMA Nisqually Earthquake Repairs

Modular and Record Center Buildings
 7580/7590 New Market Street SW
 Olympia, Washington 98504-0239

REVISIONS		
No	Description	Date